

# Transfer Case ATC450

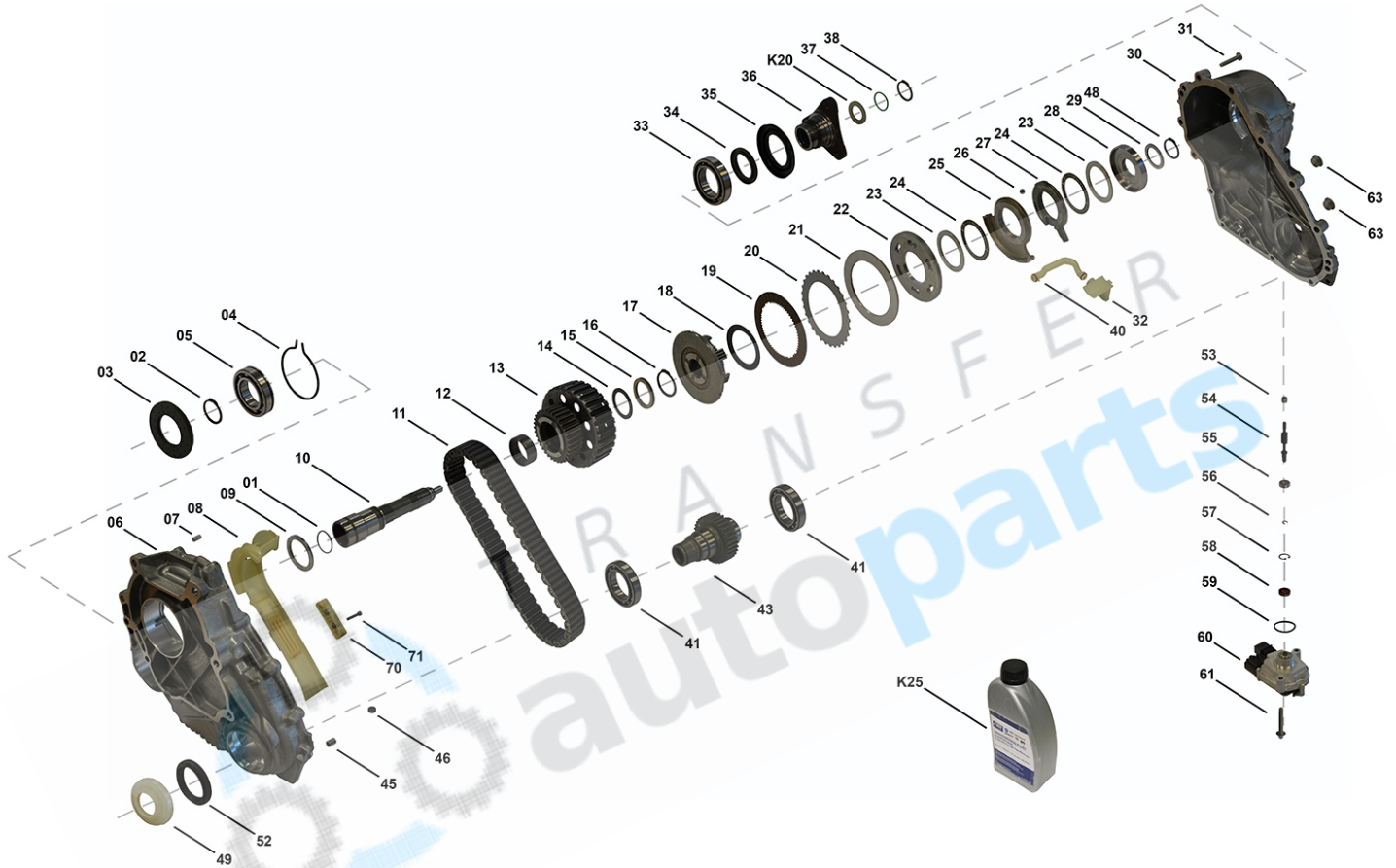
TC00398, TC00399, TC00400

OEM No: 27105A371D7; 27105A371D8; 27105A371D9

## Brands

Brand	Modelseries
BMW	X3; X5; X6

## List of parts



Pos	Part number	OEM no	Quantity	Product name	Info
'101	TC00398	27105A371D7		OE References	27107605344, 27107609196, 27107610586, 27107619178, 27107627944, 27107629405, 27107629605, 27107635753, 27107636480, 27107639271, 27107643751, 27108697972, 27105A371D7

# Transfer Case ATC450

TC00398, TC00399, TC00400

OEM No: 27105A371D7; 27105A371D8; 27105A371D9

## List of parts

Pos	Part number	OEM no	Quantity	Product name	Info
'I02	TC00399	27105A371D9		OE References	27107609193, 27107610588, 27107619180, 27107619776, 27107636482, 27107639264, 27107643753, 27108697974, 27105A371D9
'I03	TC00400	27105A371D8		OE References	27107605345, 27107609197, 27107610587, 27107619179, 27107627945, 27107629406, 27107629606, 27107635754, 27107636481, 27107639272, 27107643752, 27108697973, 27105A371D8
'K01	SP01497		1 piece	Bearing Kit	Contains position 05, 12, 24, 33, 41, 53, 55
'K02	SP01498		1 piece	Sealing Kit	Contains position 01, 03, 34, 37, 52, 58, 59, 63
'K05	SP01501	27107595650; 27107645468	1 piece	Flange Kit Rear	Contains position 36, 37, 38, K20  Information for ATC35L: Used in 27105A371F3, 27105A371F1  Information for ATC45L: Used in 27105A371E0, 27105A4A0B9, 27105A371E1, 27105A4A0C0, 27105A371E2, 27105A4A0C1, 27105A371E3, 27105A4A0C2
'K10	SP01299		1 piece	Sliding Block Kit	Contains position 70, 71  Information for DCS: Used in A2512801300, A2512801400, A2512802700, A2512803100, A2512803200  Information for PL72 T Porsche: Used in 95834102011, 95834102012  Information for PL72 T VW: Used in 0BU341010M, 0BU341011C, 0BU341011K, 0BU341011M
'K11	SP01097		1 piece	Clutch Kit	Contains position 18, 19, 20, 21
'K12	SP01093		1 piece	Shaft Actuator Kit	Contains position 53, 54, 55, 56, 57
'K20	SP00115	27107546670	1 piece	Shim Set	Contains 13 different Shims with Dimensions from 2.90mm up to 4.10mm
'K25	OIL0005	00004330136; 00004330563; 83220397244; 83222409710; N052515B0; N052515B1	1 piece	Transmission Fluid	Shipment in 1 liter bottles. Fillgrade information please see Oil List.
'K32	SP04545		1 piece	Plastic Parts Kit	Contains position 08, 32,40
01	SP00445	02C2D27326; 27107609202	1 piece	O-Ring	
02	SP00312		1 piece	Retaining Ring	

# Transfer Case ATC450

TC00398, TC00399, TC00400

OEM No: 27105A371D7; 27105A371D8; 27105A371D9

## List of parts

Pos	Part number	OEM no	Quantity	Product name	Info
03	SP00165	02C2D27145; 27107539262; 473524E000; 673002353	1 piece	Radial Sealing	
04	SP00140		1 piece	Retaining Ring	
05	Only available in K01		1 piece	Ball Bearing	
06	Not available		1 piece	Housing Front	
07	SP00154		1 piece	Pin	
08	Only available in K32		1 piece	Deflector ASM	
09	SP01933		1 piece	Shim	
10	SP01923		1 piece	Input Shaft	
11	SP01717		1 piece	Chain	
12	Only available in K01		1 piece	Needle Bearing	
13	SP01975		1 piece	Gear ASM with Drum Clutch	
14	SP01932		1 piece	Thrust Washer	
15	Not available		1 piece	Shim	
16	SP01034		1 piece	Adjusting Ring	
17	SP01096		1 piece	Hub	
18	Only available in K11		5 pieces	Spring Disc	
19	Only available in K11		7 pieces	Friction Plate	
20	Only available in K11		6 pieces	Steel Plate	
21	Only available in K11		1 piece	Plate	
22	SP01082		1 piece	Piston	
23	SP01083		2 pieces	Thrust Washer	
24	Only available in K01		2 pieces	Bearing Cage and Roller	
25	SP01946		1 piece	Actuator Ring Ball Ramp	
26	SP01085		3 pieces	Ball	
27	SP01945		1 piece	Actuator Ring Ball Ramp	
28	SP01084		1 piece	Ring	
29	Not available		1 piece	Shim	
30	Not available		1 piece	Housing Rear	
31	SP01042		14 pieces	Screw	
32	Only available in K32		1 piece	Deflector ASM	
33	Only available in K01		1 piece	Ball Bearing	
34	SP00113	27107546667; 673002344; A0159973446	1 piece	Radial Sealing	
35	SP01499	27107597688	1 piece	Slinger	Information for ATC35L: Used in 27105A371F3, 27105A371F1
36	Only available in K05		1 piece	Flange Rear	
37	SP01037	27107599326; 6000626079; 673002346	1 piece	Seal O-Ring	
38	SP00112	27107539525; 331381LA0A; 6000626080; 673002348	1 piece	Retaining Ring	
40	Only available in K32		1 piece	Tube ASM	
41	SP00152		2 pieces	Ball Bearing	
43	SP00646		1 piece	Sprocket Output	
45	SP00155		2 pieces	Pin	
46	SP01315	05143630AA; A2102760098	1 piece	Magnet	

# Transfer Case ATC450

TC00398, TC00399, TC00400

OEM No: 27105A371D7; 27105A371D8; 27105A371D9

## List of parts

Pos	Part number	OEM no	Quantity	Product name	Info
48	SP01213		1 piece	Retaining Ring	
49	SP00102	27107539212	1 piece	Slinger	
52	SP00099	27107539266	1 piece	Radial Sealing	
53	Only available in K01 & K12		1 piece	Needle Bearing	
54	Only available in K12		1 piece	Shaft Actuator	
55	Only available in K01 & K12		1 piece	Ball Bearing	
56	Only available in K12		1 piece	Retaining Ring	
57	Only available in K12		1 piece	Retaining Ring	
58	SP01038	27107593452	1 piece	Radial Seal Ring	
59	SP01040	27107593451; 673002350; 95834150100	1 piece	Seal O-Ring	
60	SP02030	27605A371F5	1 piece	Actuator Motor CAN	Information for ATC350: Used in 27105A371E5, 27105A371E6  Information for ATC35L: Used in 27105A371F8, 27105A371E9  Information for ATC450: Used in 27107643751, 27107643752, 27108697972, 27108697973  Information for ATC45L: Used in 27105A371E1, 27105A4A0C0, 27105A371E0, 27105A4A0B9
60	SP02547	27605A371F4	1 piece	Actuator Motor FR	Information for ATC350: Used in 27105A371E7  Information for ATC35L: Used in 27105A371F3, 27105A371F2, 27105A371F0, 27105A371F1  Information for ATC450: Used in 27107643753, 27108697974  Information for ATC45L: Used in 27105A371E2, 27105A4A0C1, 27105A371E3, 27105A4A0C2, 27105A371E4, 27105A4A0C3
61	SP01045	27107593450; 673002351; 90038507101; 95834150200	2 pieces	Screw	
63	SP00176	02C2D27148; 33117525064; 473904E000; 6000626082; 673002349	2 pieces	Plug	
70	Only available in K10		1 piece	Sliding Block	
71	Only available in K10		2 pieces	Screw	
	SP02000		1 piece	Sealant	Sealant SILICON BLACK (1pce = 300ml)